

**This information is intended to be available before the purchase of the Smoothfold or Oakfold patio doorset and is to assist with the purchase or specification of the appropriate lintel.**

Lintels must have at least 150mm bearing at each end. The overall length of a lintel should at least be the sum of the opening width plus 300mm (minimum).

The safe working load for the lintel must not be exceeded by the combined loads imposed by the structure and the loads imposed by the Smoothfold and Oakfold Patio Doorsets.

When specifying the lintel it will be also necessary to advise the type of construction, the type and thickness of the inner and outer leaves and the width of the cavity. It will also be necessary to advise the exposure rating for the site to determine if a cavity tray is required.

The additional loads imposed by the Smoothfold and Oakfold Patio Doorsets will be a uniformly Distributed Load (UDL) of 0.5kN (approx. 50 kg) per metre run.

Loads imposed by the structure will include loads from roof trusses, floor joists and masonry.

**Head Fixing** (see table below)

The load of the Smoothfold and Oakfold Patio Doorsets will be applied through screws fixed through 5mm diameter pre-drilled holes along the centre of the external flange of the lintel.

Smoothfold and Oakfold patios are supplied with special fixings for use when fitting into a **steel lintel** only. For other lintel types please refer to JELD-WEN or a Structural Engineer before proceeding.

**Jamb Fixing**

The jambs should be fixed using the 5 fixings (provided) evenly spaced to suit the brickwork.

**Sill Fixing**

3 sill fixing brackets are supplied and should be evenly spaced along the length of the sill and fixed in place finally fixed to the sub floor.

Patio Width	Fixing position measured from either end																	
	100	175	250	325	400	700	1000	1400	1475	1550	1625	1700						
1800	100	175	250	325	400	700	1000	1400	1475	1550	1625	1700						
2100	100	175	250	325	400	700	1100	1300	1700	1775	1850	1925	2000					
2400	100	175	250	325	400	700	1100	1600	2000	2075	2150	2225	2300					
3000	100	175	250	325	400	700	1100	1500	1800	2200	2600	2675	2750	2825	2900			
3600	100	175	250	325	400	700	1100	1500	1900	2400	2800	3200	3275	3350	3425	3500		
4200	100	175	250	325	400	700	1100	1500	1900	2300	2600	3000	3400	3800	3875	3950	4025	4100

To determine the most appropriate lintel it may be best to contact one of the manufacturers listed below.

IG Ltd  
Avondale Road, Cwmbran,  
Gwent NP44 1XY  
01633 486461  
info@igltd.co.uk www.igltd.co.uk

Harvey Steel Lintels Ltd  
Commerce Way, Whitehall Industrial Estate,  
Colchester, Essex CO2 8HH  
01206 792001  
www.lintels.co.uk

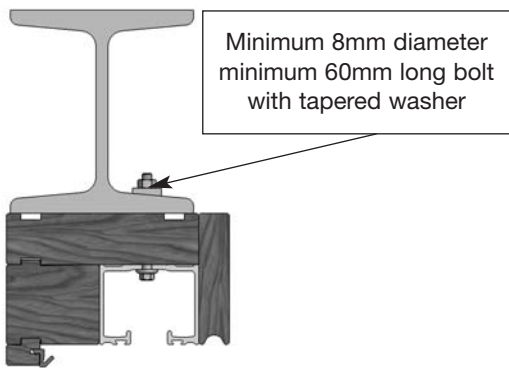
Keystone Lintels Ltd  
Ryder Close, Cadley Hill Industrial Estate,  
Swadincote, South Derbyshire DE11 9EU  
info@keystonelintels.co.uk  
www.keystone-lintels.co.uk

Birtley Building Products Ltd  
Mary Avenue, Birtley, County Durham DH3 1JF  
0191 4106631  
jim.burlison@birtley-building.co.uk  
www.birtley-building.co.uk

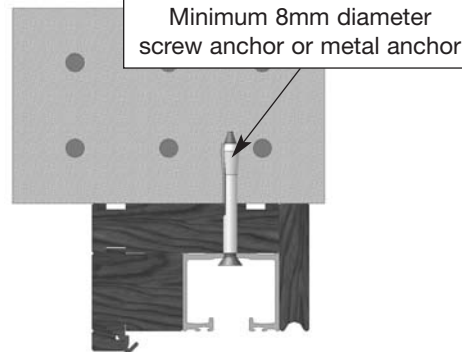
Catnic  
Pontypandy Industrial Estate,  
Caerphilly CF83 3GL  
029 2033 7900  
catnic.technical@corusgroup.com  
www.catnic.com

Expamet Building Products  
Greatham Street,  
Longhill Industrial Estate (North),  
Hartlepool TS25 1PR  
01429 866655  
technical@expamet.net  
www.expamet.co.uk

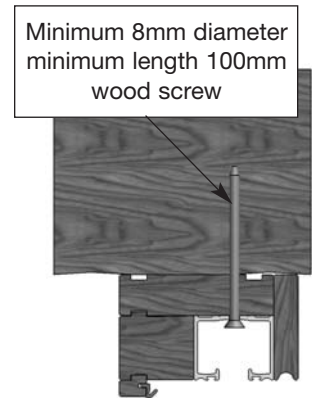
### Various Lintel Details for Canberra and Wellington Patio Doorsets



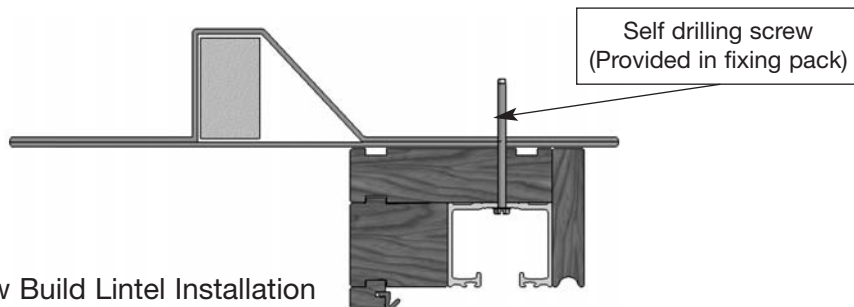
Steel Girder Installation



Reinforced Concrete Installation



Oak Lintel Installation



New Build Lintel Installation

**eJoinery Ltd, 20/21 The Courtyard, Gorsey Lane, Coleshill, Warwickshire B46 1JA.  
Tel: 0870 092 0019. Email: enquiries@ejoinery.co.uk. Web: www.ejoinery.co.uk**