

IMPORTANT NOTE



MANUAL HANDLING: These doorsets are heavy and care must be taken to ensure safe handling. If in doubt a two man lift is required.

Fitting and Fixing Guidelines for

Clifton Doorsets
Clifton PAS 23/24 Doorsets

Building Regulations

Please consult with your building designer to ensure compliance with current Building Regulations such as Approved Documents L&F.

Replacing patio doorsets is included under Building control and MUST either be carried out by a FENSA registered installer, or with prior Building Control Approval.

Registered FENSA companies can be found at www.fensa.co.uk

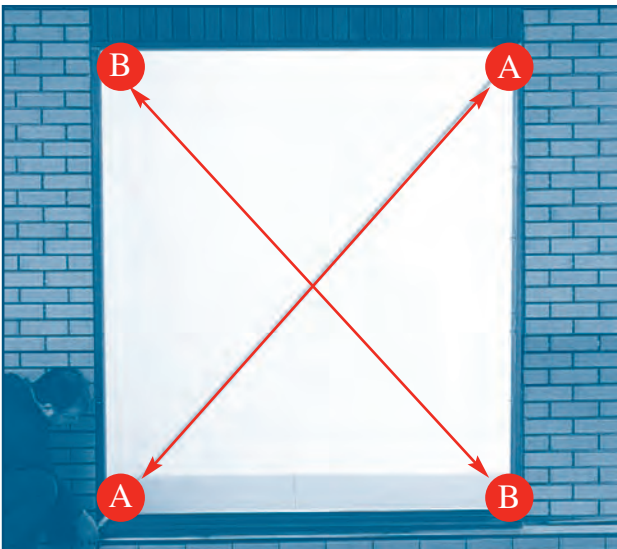
To ensure the smooth operation of these products, the following instructions must be followed:

Outer Frame

a) It is imperative that the outer frame of the doorset is installed square and plumb to allow correct operation of the hardware fitted.



- 1 Fit into opening, set frame back 30mm over the cavity to conform to Part L Robust details. Wedge frame into the opening.



- 2 Check frame for squareness across the diagonals. A should equal B.

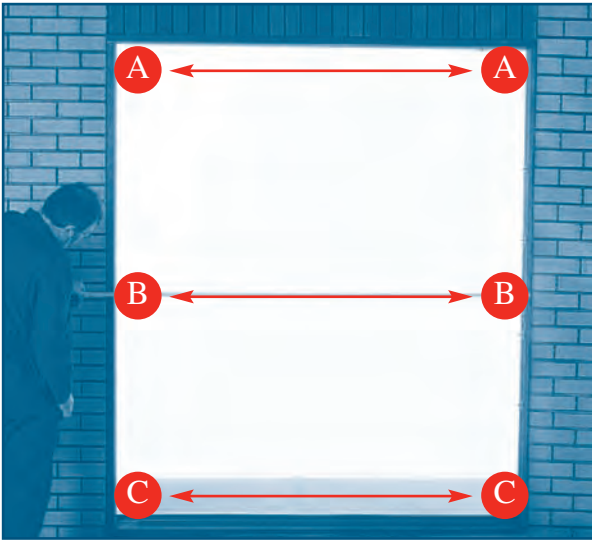


△ Safety and Security

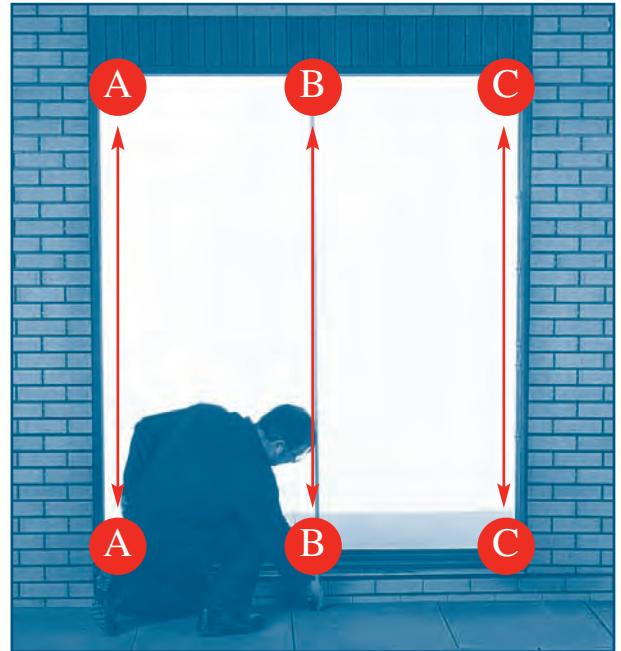
- 3 The sill must be level. Pack beneath it to stop movement and ensure it is fully supported.



- 4 Check frame is plumb.



- 5 Check the horizontal dimensions, wedge and pack as required to ensure all are equal i.e. $AA=BB=CC$.



- 6 Check vertical dimensions are equal i.e. $AA=BB=CC$. Pack as required.

Only For PAS-24 Compliant Clifton Doorsets:

Your PAS-24 compliant Clifton doorset comes with all the hardware fitted to it. You need to fit the Frame inside the brick-work aperture using the same method described earlier for ordinary Clifton doorset and then hang the Door-leaves in the frames as described in the previous pages. Please make sure your PAS-24 Clifton doorset has the following features:

- Three Hook Lock on the Master door-leaf.
- Shootbolt Lock on the Slave door-leaf.
- Strikers on the Flying Mullion.
- Top and Bottom Shootbolt Strikers already fitted to the Frame.
- Two Security handle sets.
- Anti-lift bolts behind every Hinge on the doorset.

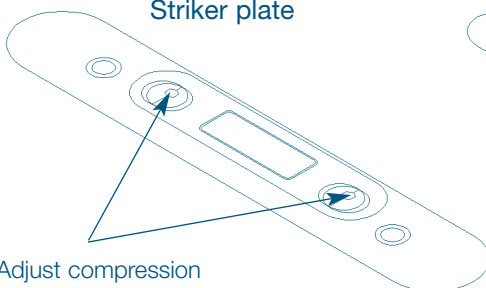
Handles:

The handles supplied to you are the Security handles and you must use the same handles on your doorsets to comply with PAS-24 Enhanced security requirements. If in any doubt ask JELD-WEN UK for assistance.

Strikers:

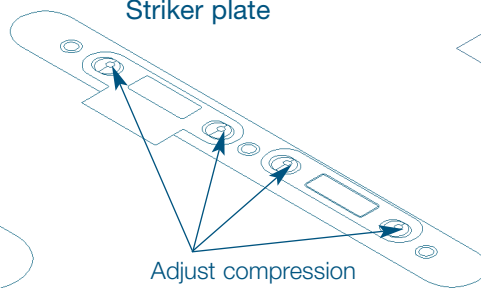
You are supplied with an enhanced security doorset with more adjustability features than the standard Clifton doorset. You can adjust the compression on the all the strikers on your PAS-24 Clifton doorset using 3mm Allen keys.

Fig: 1 – Hook Striker plate



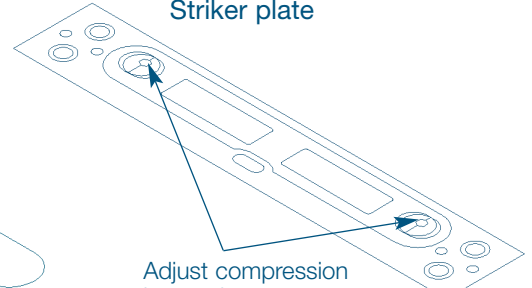
Adjust compression here using 3mm Allen key

Fig: 2 – Centre Striker plate



Adjust compression here using 3mm Allen key

Fig: 3 – Shootbolt Striker plate



Adjust compression here using 3mm Allen key

Fitting and Fixing Guidelines for

Clifton Doorsets
Clifton PAS 23/24 Doorsets

Threshold Fitting

The threshold is supplied fitted to the frame. Make sure the corners are properly sealed using silicone to avoid water leakage through corners.

! CARE MUST BE TAKEN NOT TO BLOCK THE DRAINAGE HOLES ON THRESHOLD

RAIN DEFLECTORS = Supplied loose for on site fitting.

Door Installation

a) You will need a spirit level, silicone mastic and gun, measuring tape, hinges, screw drivers, drill, suitable frame fixings and packer to install the door leaves.

The frame jambs and the door leaves have pre-drilled pilot holes for correct positions of the hinges. There are special screws provided in the "Handle Pack" which must be used to fix the door leaves to the frame.

When happy with the door leaf position simply screw fix the hinge tightly in place using the screw fixing holes. (Screws are contained in the handle pack).

Hook Keep Adjustment

There is a small amount of adjustment (if required) built into both Hook Keeps and Shootbolt Keeps. (Shootbolt keeps are supplied in the threshold pack.)

The hook Keeps are designed to alleviate compression by simply reversing the Keeps (turning the Keeps through 180°). This should only be done if the operation of the locking mechanism is overly stiff in function. (Fig.1)

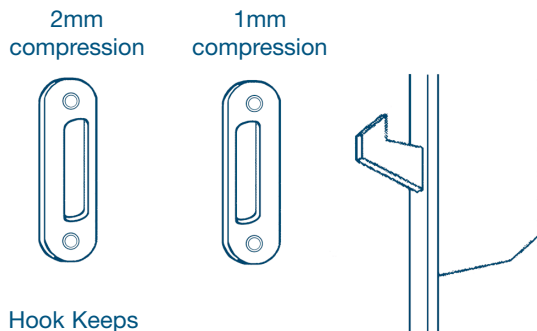


Fig.1

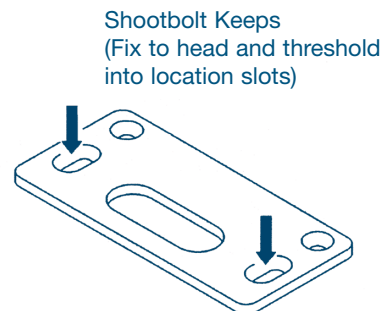
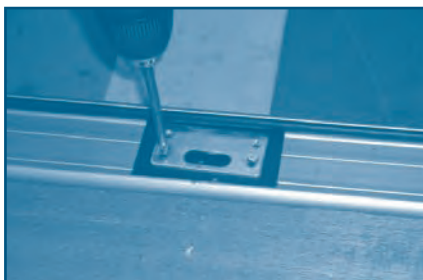


Fig.2

Shootbolt Keep Adjustment

Adjustability on the Shootbolt Keeps (top and bottom) is achieved by means of an elongated fixing hole, simply slacken the screw fixings (fig.2) and relocate the Keep to tighten or slacken compression. Then tighten the screws in the other two holes to fix it tight.

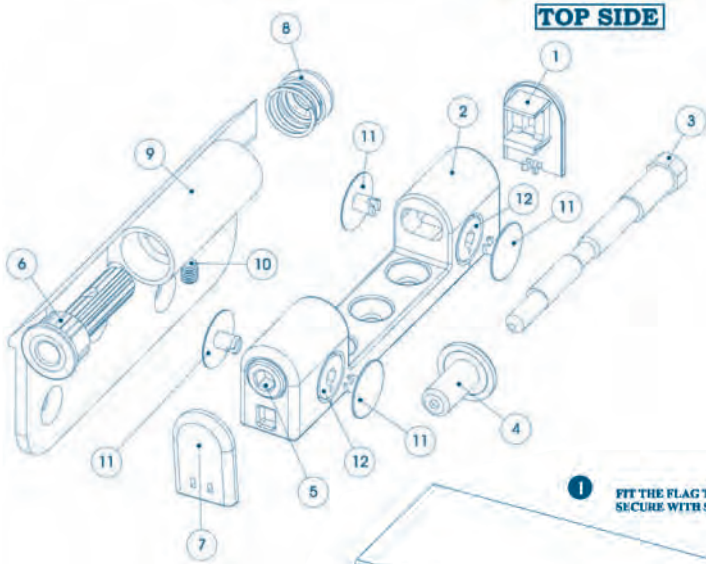


Cylinder and Handle Fitting

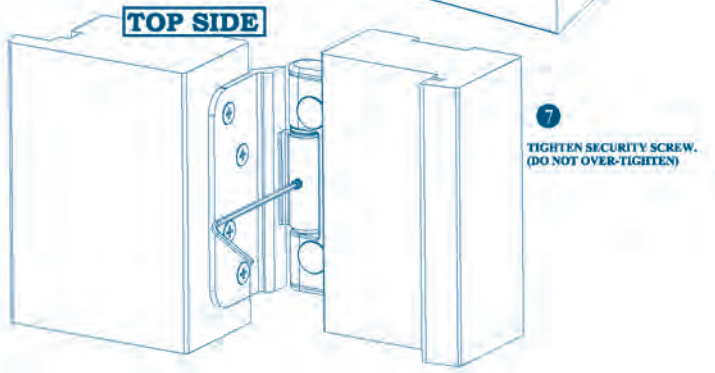
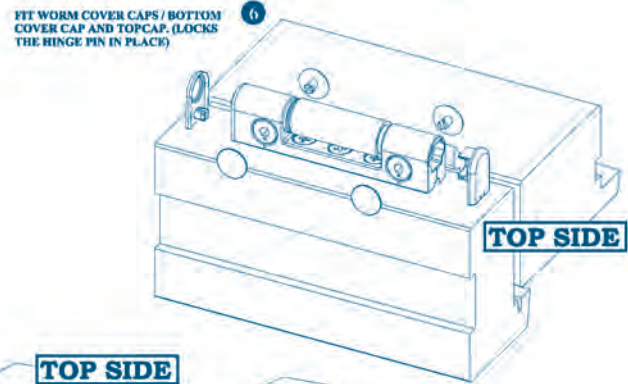
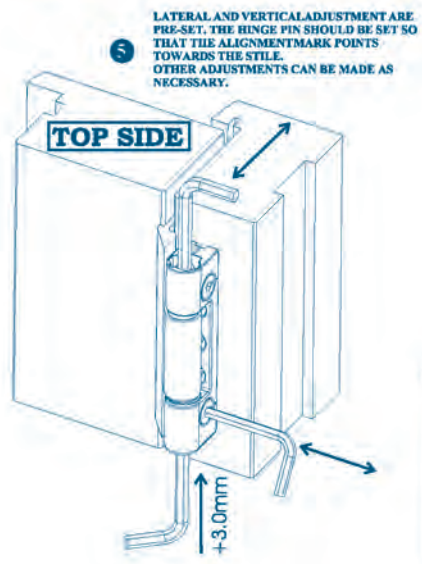
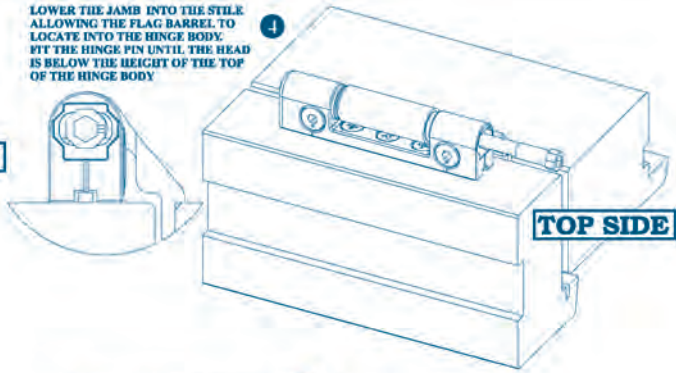
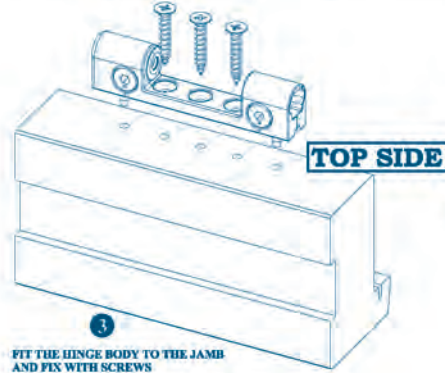
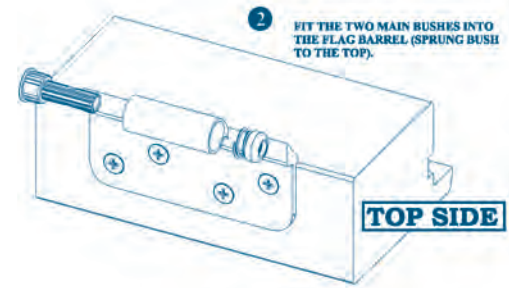
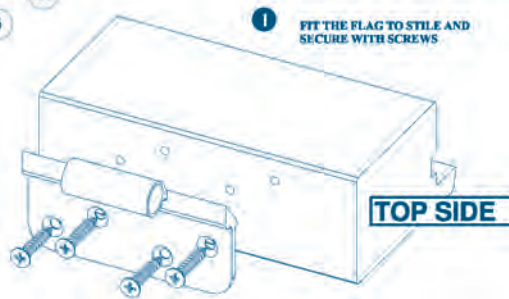
When fitting the locking cylinder and handle set, make sure that these components are installed vertically to the door stile. If these items are fitted in twist it could be detrimental to the operation of the locking mechanism.

The locking mechanism engages when the handle is lifted up. The key can then be turned in the cylinder activating the lock. Key locking is operable from both sides.

Fitting the hinges & doors



1	TOP COVER CAP
2	HINGE BODY
3	HINGE PIN
4	BOTTOM BUSH
5	VERTICAL HEIGHT ADJUSTMENT SCREW
6	FLAG BUSH
7	COVER CAP
8	TOP SPRING BUSH
9	FLAG
10	SECURITY SCREW
11	WORM DRIVE COVER CAP
12	WORM DRIVE



Fitting and Fixing Guidelines for

Clifton Doorsets
Clifton PAS 23/24 Doorsets

Ventilator Hood Fixing

Once the doors are correctly installed, fix the ventilator hoods in place using the screws provided.

Open Out version Only



Connect restrictor arms to prefitted keeps in head.

Final Joint Sealing all Versions



Seal the joint between the outer frame and brickwork with suitable mastic sealant.

Keep these instructions for future reference.

Care and Maintenance

By taking care of your patio with the following simple actions, it will give many years of trouble free service.

1. Ensure doors are kept clean and free of obstruction.
2. Lightly lubricate moving parts periodically, at least once every 12 months.
3. Unless supplied in light build paint or stain finish, door and frame require decoration on site. Preferably before installation, all four edges of the door must be decorated with particular attention to the top and bottom. Always follow the paint manufacturers instructions.
4. Redecorate all timber components every 5 years, or more frequently if required.